

SHOWGUN SPOT SERIES

USER MANUAL

CE IP20
Indoor



Showgun 10 Spot



Showgun 20 Spot



Showgun 35 Spot

Table of contents

Caution!	3
Introduction	3
Safety instructions	3
Overview	4
Installation	5
Read 'Safety information' before installing the fixture.....	5
Instruction Installation of 3 Circuits Track System.....	5
3-circuit Track.....	5
Track clamp mounting instruction	5
Mounting Instructions.....	7
Remove Instructions	8
Operation	9
Dimmer	9
CCT.....	9
Zoom.....	9
Technical specifications	9

Caution!



Be careful with your operations. With a dangerous voltage you can suffer a dangerous electric shock when touching the wires!



Avoid looking directly into the light source!

Wear protective glasses and other PPE (personal protective equipment) when working on or near the fixture.



Always make sure you are connecting this product to the proper voltage in accordance with the specifications in this manual or on the product's specification label. Make sure it is grounded when using it!

Switch off the mains before doing any installation work.

Make sure to replace the fuse with another of the same type and rating.



For your own safety, please read this user manual carefully before you initial start-up.

Follow operating safety precautions and pay attention to warning signs methods and equipment on the user manual.



Warning! This symbol indicates a hot surface. Certain parts of the housing can become hot during operation. After use, wait for a cool-down period of at least 10 minutes before handling or transporting the device.

Every person involved with the installation, operation and maintenance of this device has to

- be qualified
- follow the instructions of this manual
- consider this manual to be part of the total product
- keep this manual for the entire service life of the product
- pass this manual on to every further owner or user of the product
- download the latest version of the user manual from the Internet

Introduction

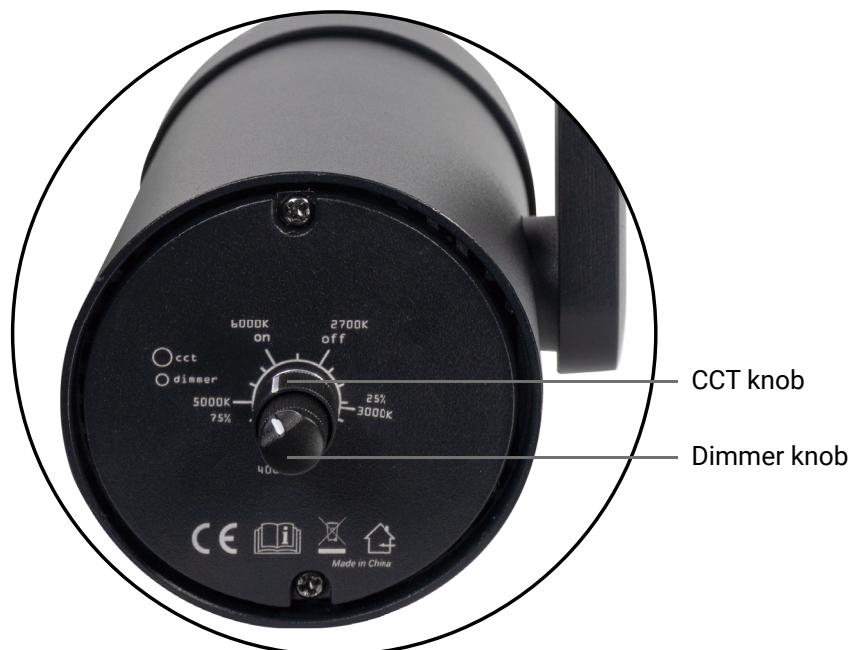
Thank you for having chosen Showgun 10 Spot , Showgun 20 Spot , Showgun 35 Spot . You will see you acquired a powerful and versatile device.

Unpack your item. Before you initial start-up, please make sure that there is no damage caused by transportation. Should there be any, consult your dealer and do not use the device.

Safety instructions

This device has left our premises in absolutely perfect condition. In order to maintain this condition and to ensure a safe operation, it is absolutely necessary for the user to follow the safety instructions and warning notes written in this user manual. Always disconnect from the mains, when the device is not in use or before cleaning it. Keep away children and amateurs from the device! There are no serviceable parts inside the device. Maintenance and service operations are only to be carried out by authorized dealers.

Overview



Installation

Read 'Safety information' before installing the fixture.

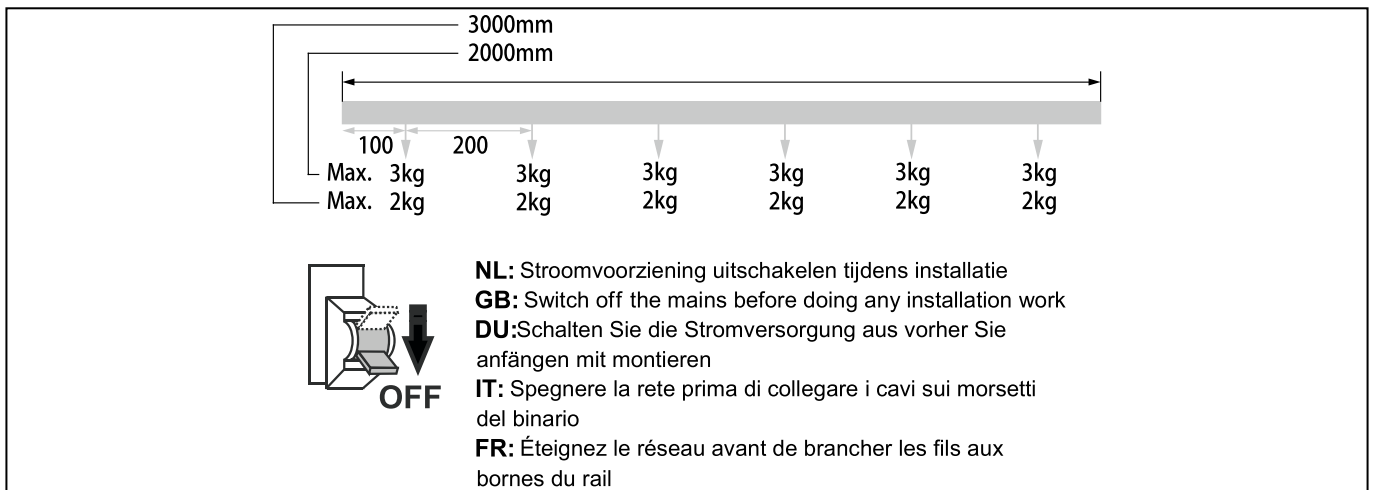
The fixture is designed for indoor use only and must be used in a dry location with adequate ventilation. Ensure that none of the fixture's ventilation slots are blocked.

Fasten the fixture to a secure structure or surface. Do not stand it on a surface or leave it where it can be moved or fall over. If you install the fixture in a location where it may cause injury or damage if it falls, secure it as directed in this user manual using a securely anchored safety cable that will hold the fixture if the primary fastening method fails.

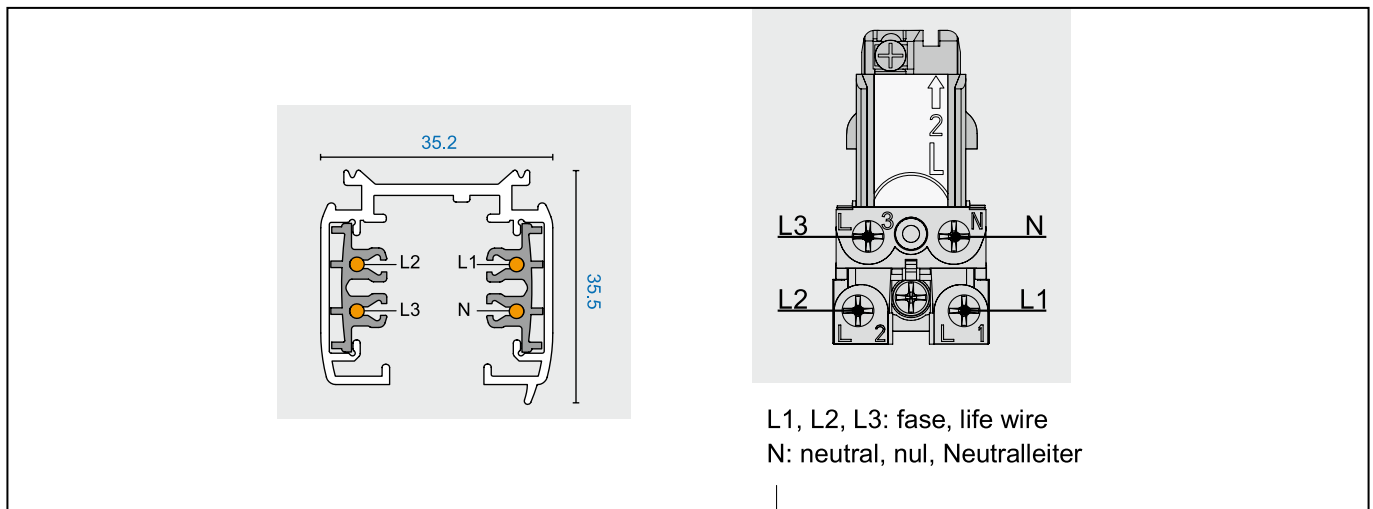
Instruction Installation of 3 Circuits Track System



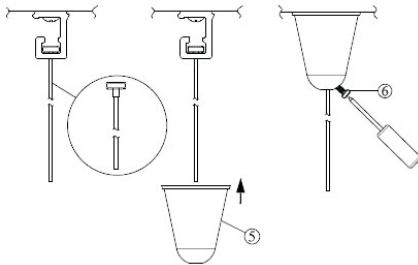
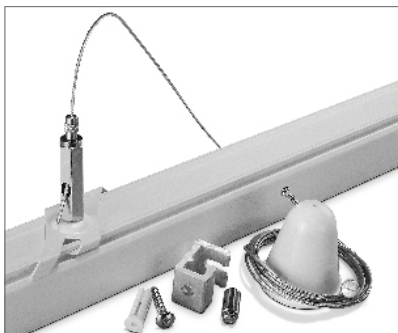
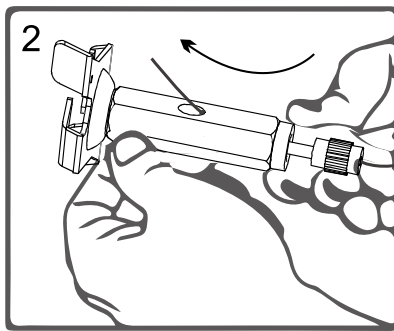
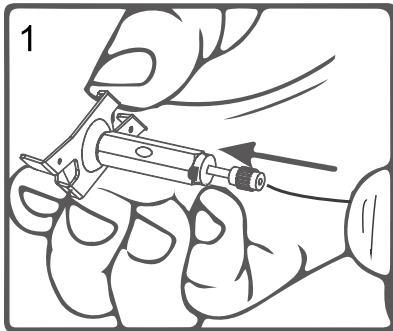
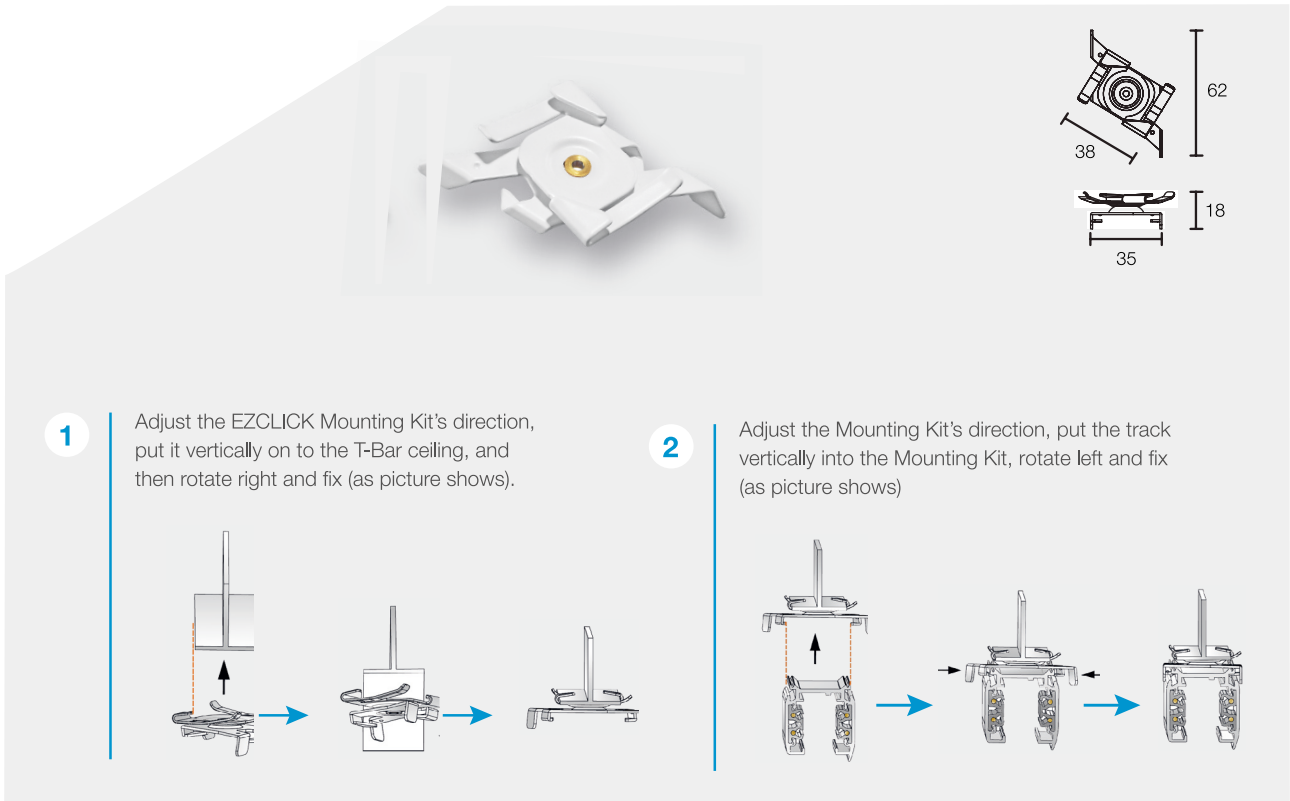
Only be used with a voltage of 220V-250V!



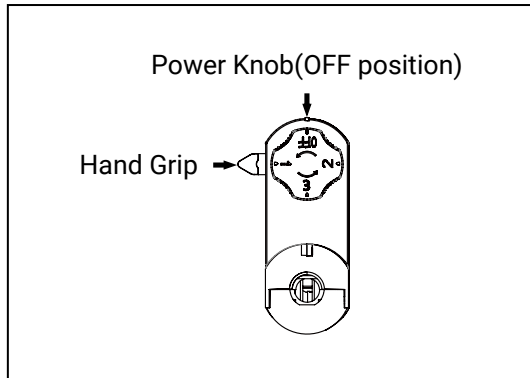
3-circuit Track



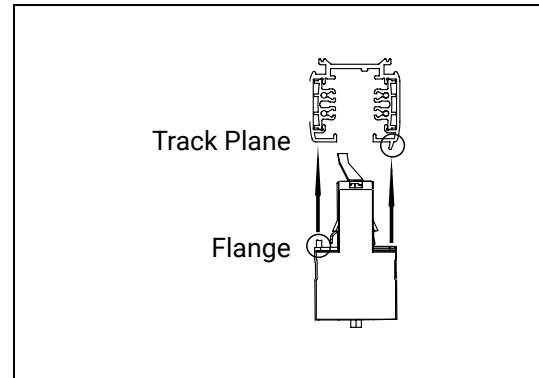
Track clamp mounting instruction



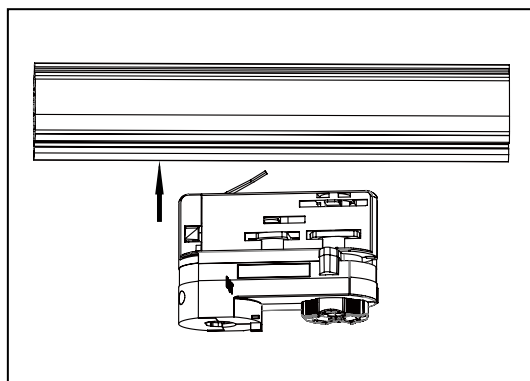
Mounting Instructions



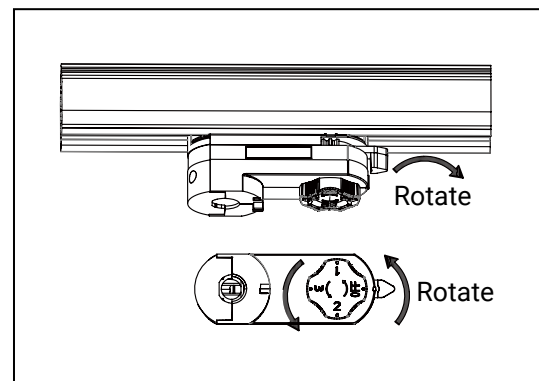
Step 1
Make sure the positions are exactly the same as the pictures show before installation.



Step 2
The adaptor flange is in the same direction with the track plane.

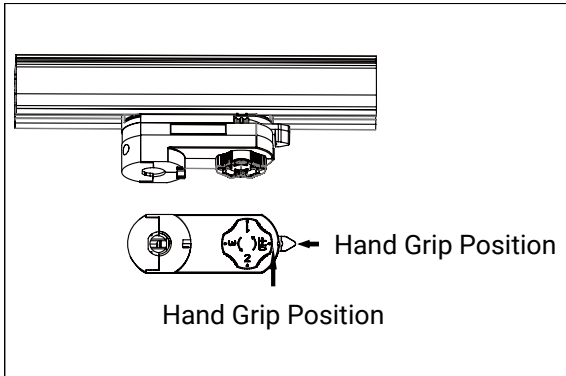


Step 3
Track adaptor into the track



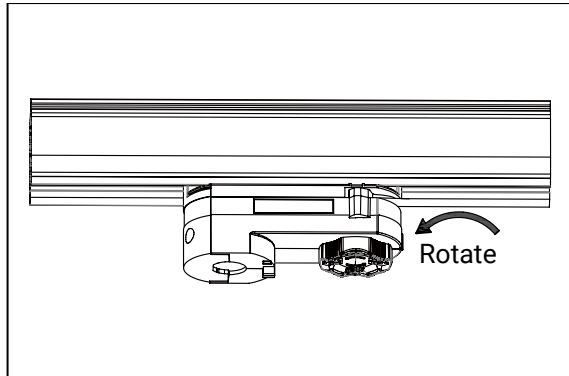
Step 4
Revolve the hand grip in place, select the power knob: phase 1/phase 2/ phase 3. Can swing clockwise and anticlockwise.

Remove Instructions



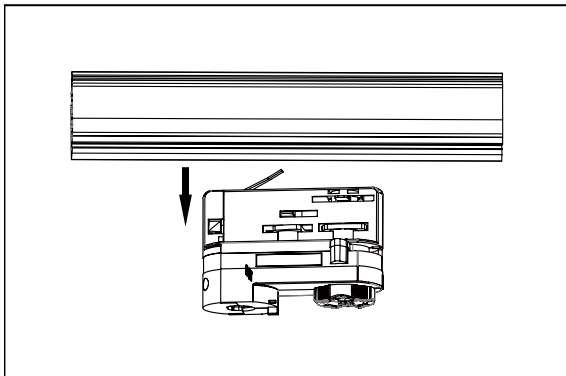
Step 1

Make sure the track adaptor's positions are the same as the picture shows before removing.



Step 2

When power knob at the "OFF" position, rotate the hand grip at 90 degree.



Step 3

Remove the track adaptor.

Operation

Dimmer

This function allows you to adjust the brightness of the fixture. Adjust the small knob to control the dimmer of the fixture from 0 - 100%.

CCT

This function allows you to adjust the color temperature of the fixture. Adjust the small knob to control the color temperature from warm white to cold white.

Zoom

This function allows you to adjust the zoom angle of the fixture. Adjust the zoom ring to adjust the zoom range from small to wide.

Technical specifications

Model	Showgun 10 Spot	Showgun 20 Spot	Showgun 35 Spot
Power supply:	AC220 - 240V, 50/60Hz		
Light source:	10W COB LED	20W COB LED	35W COB LED
Color temperature:	2700K - 6000K adjustable		
Color Rendition:	CRI 96		
Lens angle:	25°	30°	30°
Power connection:	4 wire 3 circuit track adapter		
Housing:	Color black or white, die-casting aluminum		
Size:	285 x 115 x 90mm	310 x 115 x 90mm	
N.W.:	0.7 kg	1 kg	1.2 kg
Environment:	IP20		

Please note: All information is subject to change without prior notice.